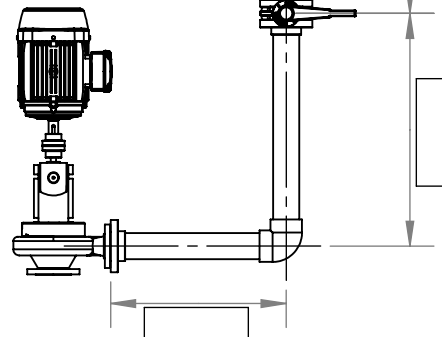
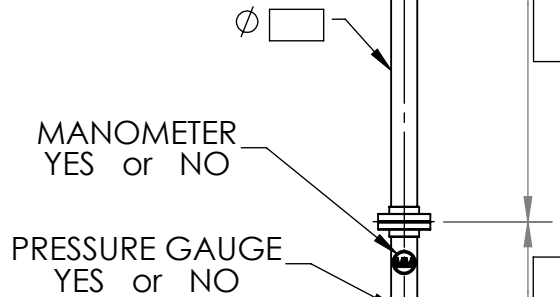
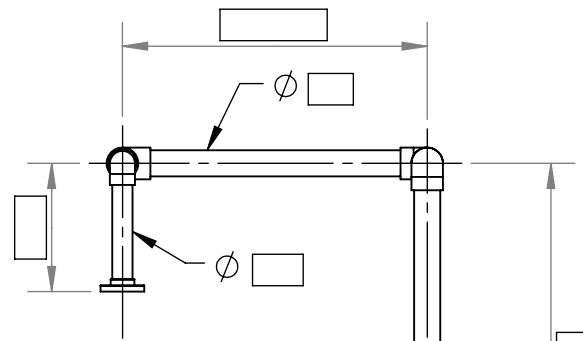
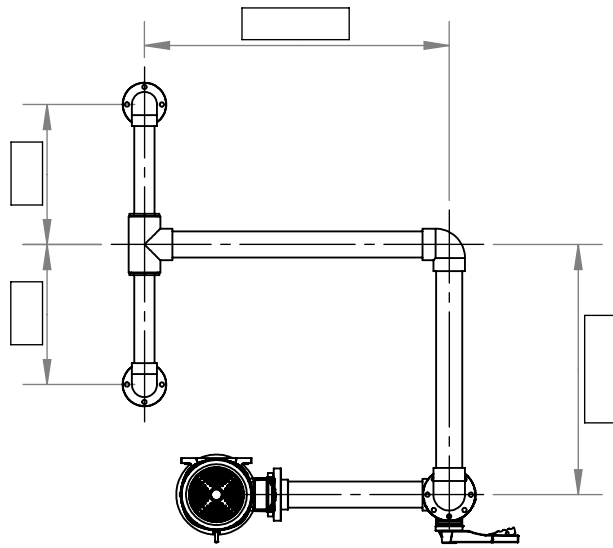


UNI-SPRAY SYSTEMS INC.



AVAILABLE POWER

VOLTAGE: 120V 240V 460V 575V
(SPECIFY IF DIFFERENT):

PHASE: SINGLE DOUBLE 3PHASE

AIR PRESSURE AVAILABEL: YES or NO

GENERAL INFO

STAGE NO:

TANK SIZE (LxWxH):

TANK CAPACITY USG (L):

PUMP CAPACITY:

OPERATING PRESSURE:

HEADER ϕ :

SPOOL ϕ :

CROSSOVER ϕ :

MATERIAL: Sch80 PVC or Sch80CPVC

NOTES:

CUSTOMER: _____

ADDRESS: _____

CONTACT: _____

PHONE #: _____

FAX #: _____

E-MAIL ADDRESS: _____



Creating Industry Standards Worldwide

Uni-Spray Systems Inc.
65 Heroux Devtek Drive
Cambridge, ON N3E 0A7

T: 519-885-4270
1-877-236-0204
E: info@uni-spray.com