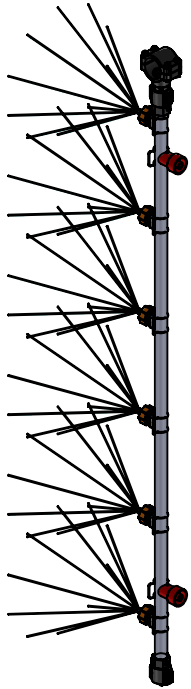


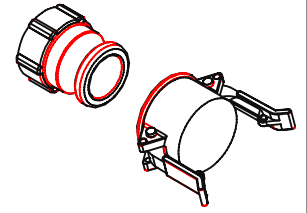
UNI-SPRAY SYSTEMS INC.



PART D & DP

Y/N

OPTIONAL PLUGS A & DC



RISER WORKSHEET

GENERAL INFO

STAGE NO: _____

HEADER SIZE: _____

OPERATING PRESSURE: _____

PUMP CAPACITY: _____

TOTAL NO. OF RISERS PER STAGE: _____

TANK INFO

TANK SIZE (LxWxH): _____

TANK CAPACITY USG (L): _____

RISER INFO

RISER PIPE SIZE: _____

NOZZLE ASSY. PART #: _____

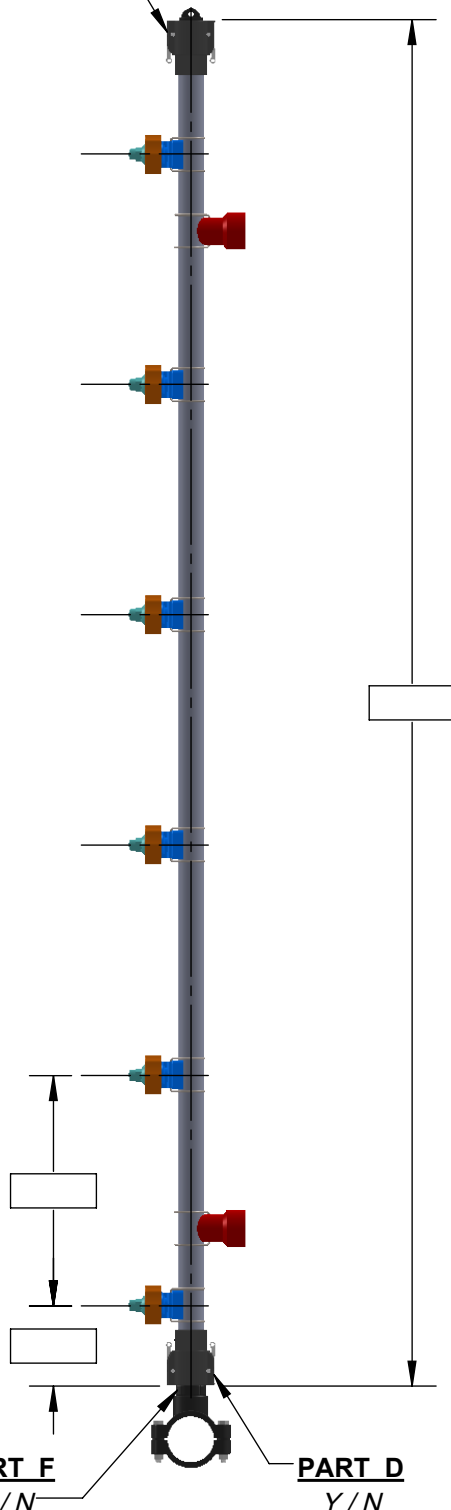
TOTAL NO. OF NOZZLES PER RISER: _____

NO. OF RISER SUPPORTS PER RISER: _____

TOTAL NO. OF RISERS OF THIS TYPE
FOR THIS ORDER INCLUDING SPARE: _____

DATE: _____

NOTES:



PART F
Y/N

PART D
Y/N

R1B

CUSTOMER: _____

ADDRESS: _____

CONTACT: _____

PHONE #: _____

FAX #: _____

E-MAIL ADDRESS: _____

Uni-Spray Systems Inc.
 65 Heroux Devtek Drive
 Cambridge, ON N3E 0A7
 T: 519-885-4270
 1-877-236-0204
 E: info@uni-spray.com

Creating Industry Standards Worldwide