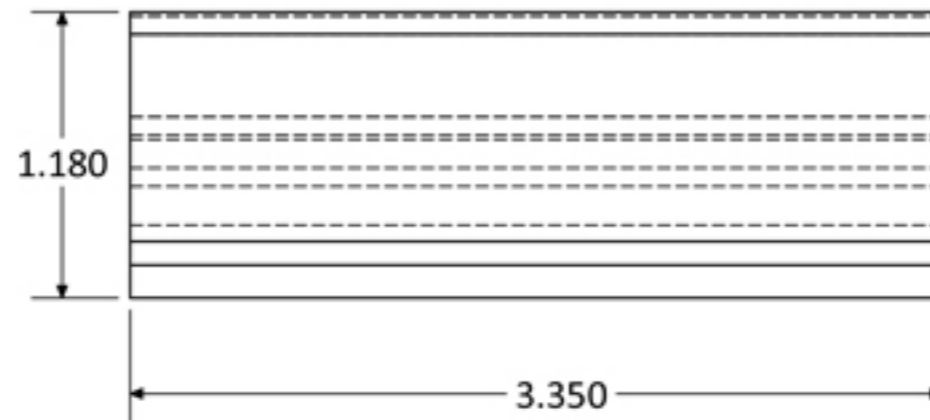
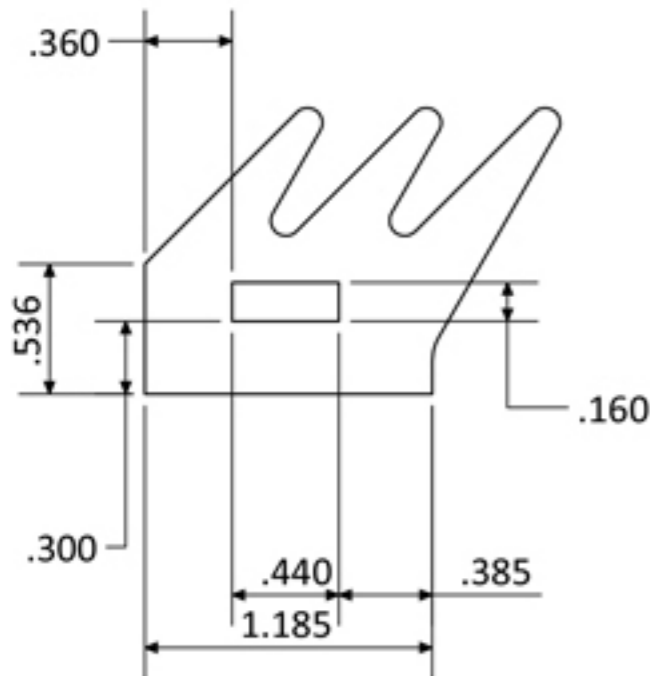
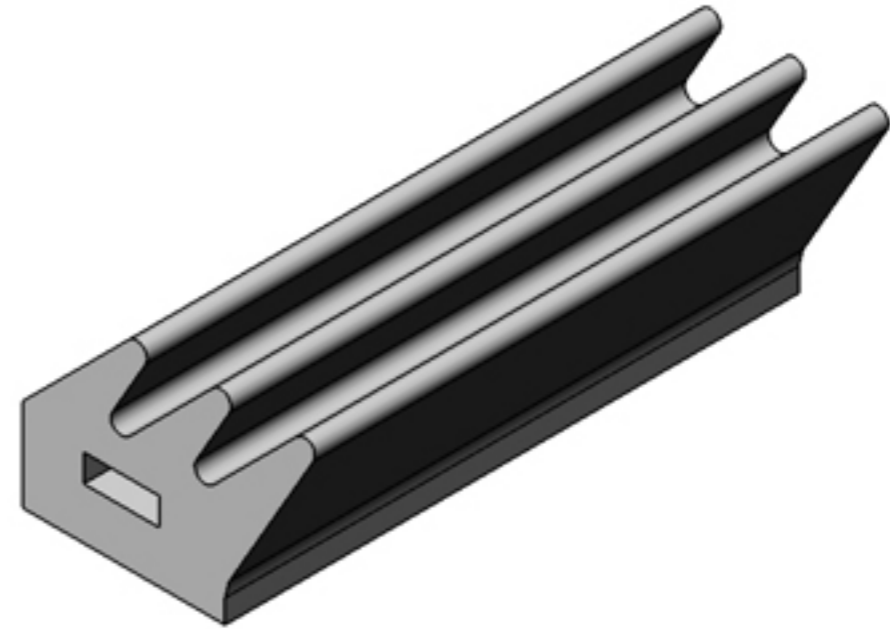


PART NUMBER	DUROMETER	MATERIAL	COLOUR
5000-163	45-50A	TPV	WHITE
5000-121	50A	TPV	NATURAL
5000-382	45-50A	TPV	WHITE
5000-175	50A	TPV	BLACK

REVISIONS			
Init.	Date	Details	NO.



Uni-Spray Systems Inc.
 44 Durward Place
 Waterloo, Ontario, Canada
 N2L 4E4
 Tel:519-885-4270 Fax:519-885-4325

Disclaimer:
 This drawing is property of Uni-Spray Systems Inc.
 and contains proprietary information.
 It is not to be reproduced without written permission.



COLOUR	NAME	CHRISTINE J.
MATERIAL	DUROMETER	

Description:
THREE FINGER GRIPPERS

SIZE	DWG NO.	5000-XXX	REV
A	DATE:	April-25-14	A

SCALE: 1:1	WEIGHT: 0.16	SHEET 1 OF 1
------------	--------------	--------------