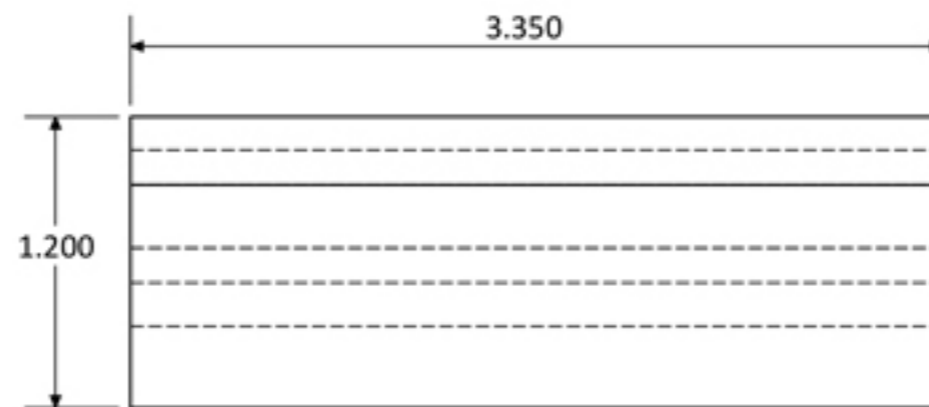
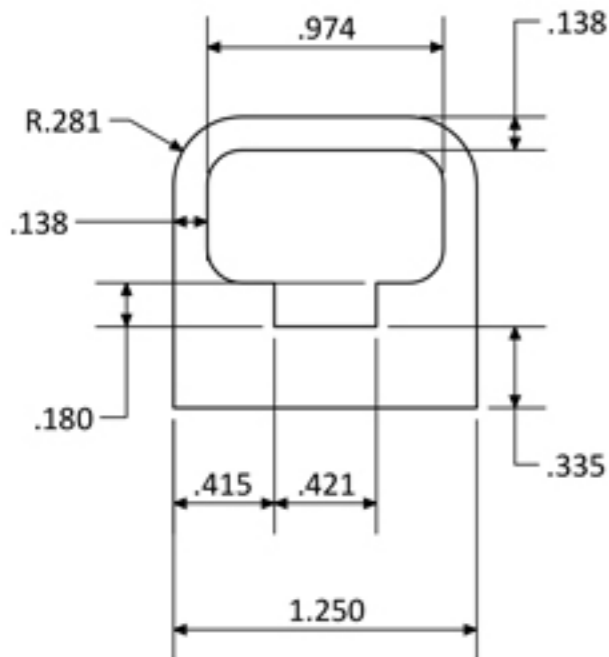
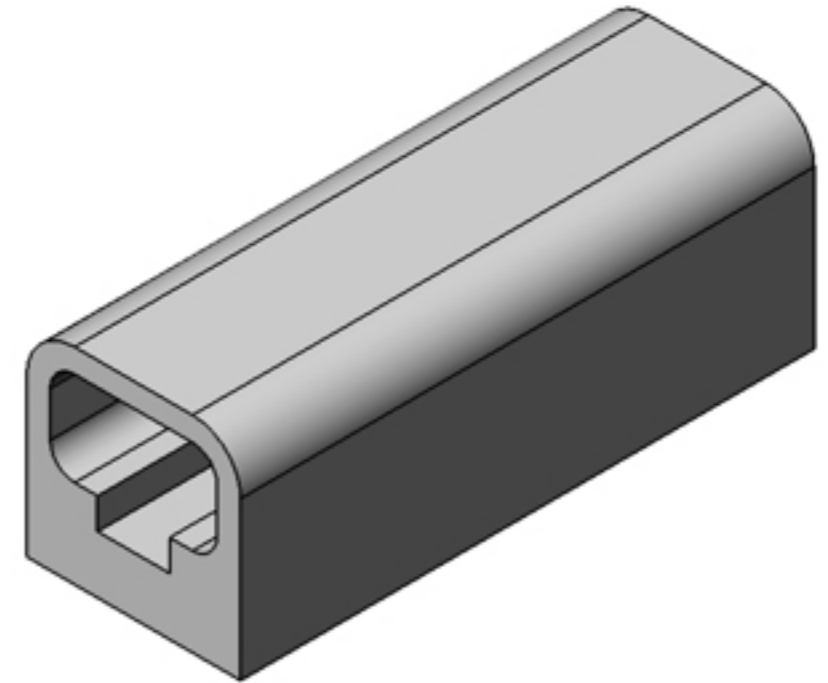


PART NUMBER	DUROMETER	MATERIAL	COLOUR
5000-056W	50A	TPV	WHITE
5000-056N	45-50A	TPV	BLACK
5000-056B	45-50A	TPV	BLUE
5000-332N	60A	TPV	BLACK
5000-334T	60A	TPV	TAN
5000-056RED	50A	TPV	RED
5000-332RD	60A	TPV	RED

REVISIONS			
Init.	Date	Details	NO.



Uni-Spray Systems Inc.
 44 Durward Place
 Waterloo, Ontario, Canada
 N2L 4E4
 Tel:519-885-4270 Fax:519-885-4325

Disclaimer:
 This drawing is property of Uni-Spray Systems Inc.
 and contains proprietary information.
 It is not to be reproduced without written permission.

Uni-Spray Creating Industry Standards Worldwide
Systems Inc.

COLOUR	NAME	CHRISTINE J.
MATERIAL	DUROMETER	

Description:
"D" GRIPPERS

SIZE	DWG NO.	REV
A	5000-XXX	A
DATE:	April-25-14	

SCALE: 1:1	WEIGHT: 0.13	SHEET 1 OF 1
------------	--------------	--------------