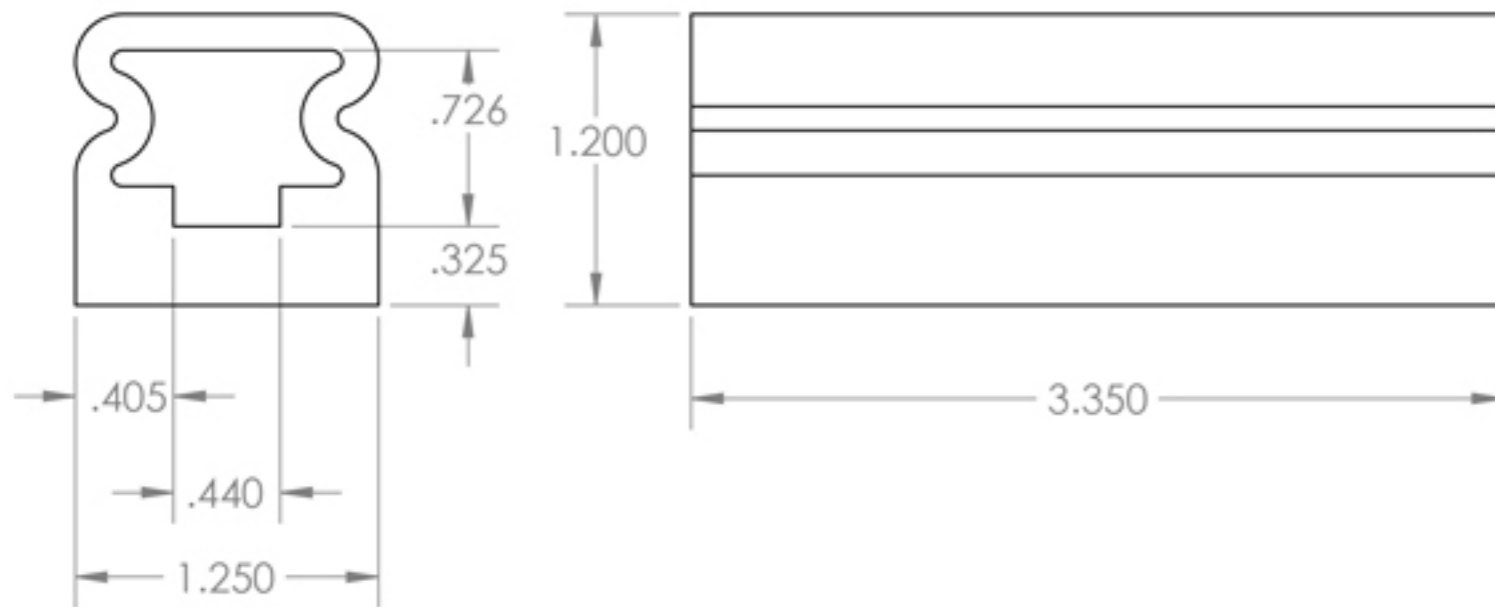
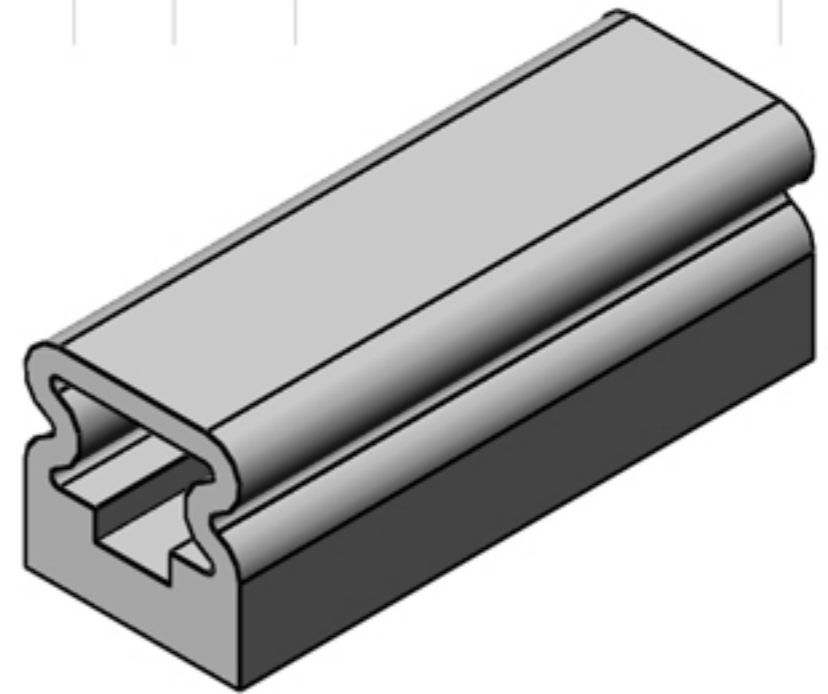


REVISIONS

Init.	Date	Details	NO.



Uni-Spray Systems Inc.
 44 Durward Place
 Waterloo, Ontario, Canada
 N2L 4E4
 Tel:519-885-4270 Fax:519-885-4325
 Disclaimer: This drawing is property
 of Uni-Spray Systems Inc. and
 contains proprietary information.
 It is not to be reproduced without
 written permission



COLOUR	White	NAME	MATT P.
MATERIAL	Neoprene	DUROMETER	50-55 A

Description:
Bellow Gripper

SIZE	DWG NO.	REV
A	5000-056BL	
DATE:	February-05-13	
SCALE: 1:1	WEIGHT: 0.14	SHEET 1 OF 1